



Library	Service Literature
Product Section	Unitary
Product	Unitary Accessories
Model	Electric, Steam, Hot Water Coils
Literature Type	Service Facts
Sequence	1A
Date	October 1987
File No.	SV-UN-ACC-EHTRC111SF1A 10/87
Supersedes	New

## SERVICE FACTS

Since The Trane Company has a policy of continuous product improvement, it reserves the right to change specifications and design without notice. The installation and servicing of the equipment referred to in this booklet should be done by qualified, experienced technicians.

## Electric Heater Model: BAYHTRC111AA

**IMPORTANT — This document is customer property and is to remain with this unit. Please return to service information pack upon completion of work.**

### SPECIFICATIONS

RATINGS	@ 240V	@ 208V
Output — Kilowatts	10.56	7.93
Output — BTU's	36,050	27,050
Input — Amps	44	38.1
Phase	1	
Units Used With	WCH/TCH 024, 030, 036, 042A1	

### SERVICE PARTS

COMPONENT	QTY.	DESCRIPTION	DPG PART #	CSG PART #
Contactors (AH)	1	DPST, Contacts 240/480, FLA 20/20, LRA 120/100, Coil 24V, 1.46 Amps Inrush, .29 Amps Sealed	WW24X0077	CTR-0606
Fuse Link (FL)	2	Opens at 109°C, 3/4" Ceramic Holder.	WW09X0025	LNK-0242
Heater Rack (HTR)	1	5.76 KW, 240 Volts, 9.2 Ohms Per Coil, Material; 15 GA Grade C	WW96X0241	ELM-0648
Heater Rack (HTR)	1	4.80 KW, 240 Volts, 11.04 Ohms Per Coil, Material; 16 GA Grade C	WW96X0244	ELM-0652
Thermostat (TCO)	1	Exposed 3/4" Disc, Resistive Load 25 Amps @ 240V, Inductive Load 5 FLA @ 240V.	WW28X0147	THT-0485

## ⚠ WARNING

### SAFETY NOTICE

THIS INFORMATION IS INTENDED FOR USE BY INDIVIDUALS POSSESSING ADEQUATE BACKGROUNDS OF ELECTRICAL AND MECHANICAL EXPERIENCE. ANY ATTEMPT TO REPAIR A CENTRAL AIR CONDITIONING PRODUCT MAY RESULT IN PERSONAL INJURY AND/OR PROPERTY DAMAGE. THE MANUFACTURER OR SELLER CANNOT BE RESPONSIBLE FOR THE INTERPRETATION OF THIS INFORMATION, NOR CAN IT ASSUME ANY LIABILITY IN CONNECTION WITH ITS USE.

## ⚠ CAUTION

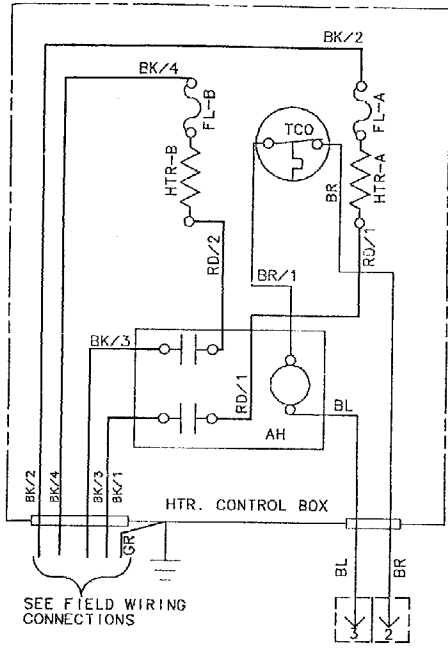
### RECONNECT ALL GROUNDING DEVICES

ALL PARTS OF THIS PRODUCT CAPABLE OF CONDUCTING ELECTRICAL CURRENT ARE GROUNDED. IF GROUNDING WIRES, SCREWS, STRAPS, CLIPS, NUTS OR WASHERS USED TO COMPLETE A PATH TO GROUND ARE REMOVED FOR SERVICE, THEY MUST BE RETURNED TO THEIR ORIGINAL POSITION AND PROPERLY FASTENED.

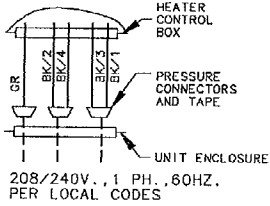
## ⚠ DANGER

**DISCONNECT  
POWER BEFORE SERVICING**

From Dwg. 21C756748P01



LOW VOLTAGE POLARIZED PLUG (SEE NOTE 1)



FIELD WIRING CONNECTIONS

LEGEND-EQUIPMENT DIAGRAM

- 24 V. } FACTORY WIRING
- LINE V. } }
- - - 24 V. } FIELD WIRING
- - - LINE V. } }
- ⏏ POLARIZED PLUG
- CONNECTOR
- TERMINAL
- ⊥ GROUND
- ⊞ FUSIBLE LINK
- ⊞ CONTACTOR COIL
- ⊞ RELAY CONTACT (N.O.)
- ⊞ TEMP. ACTUATED SWITCH
- ⊞ HEATING ELEMENT

COLOR OF WIRE/NUMBER

BK	BLACK	OR	ORANGE	YL	YELLOW
BL	BLUE	RD	RED	GR	GREEN
BR	BROWN	WH	WHITE	PR	PURPLE

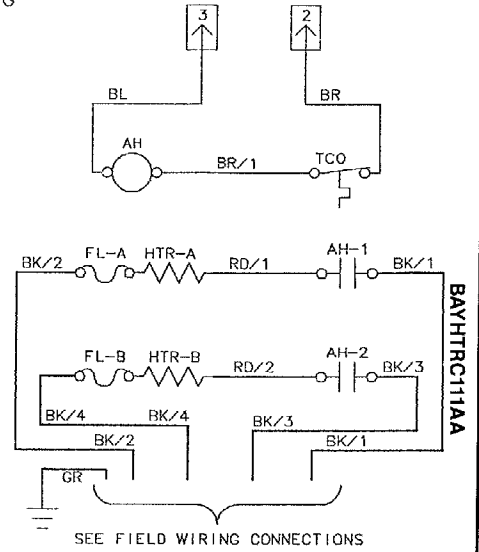
- AH CONTACTOR
- TCO TEMP. LIMIT SWITCH
- HTR HEATER
- FL FUSIBLE LINK

NOTES:

1. SET HEAT ANTICIPATOR AT .31 AMPS.

FOR CANADIAN INSTALLATIONS ONLY  
 CAUTION-NOT SUITABLE FOR USE ON SYSTEMS EXCEEDING 150 VOLTS TO GROUND.  
 ATTENTION: NE CONVIENT PAS POUR LES INSTALLATIONS DE PLUS DE 150V. A TERRE.

LOW VOLTAGE POLARIZED PLUG (SEE NOTE 1)



ELECTRICAL RATINGS			
KW		AMPS	
1 PH.			
240 V.	208 V.	240 V.	208 V.
10.56	7.93	44	38.1

MODEL NO.  
 BAYHTRC111A

PRINTED FROM 21C756748 P02